

CENTRIFUGAL FANS AND IN-LINE DUCT EXTRACTOR FANS

CBD CBD 3V CBD/B CBD/B 3V

CBD: Double-inlet centrifugal fans with direct drive motor and forward-curved impeller.

CBD 3V: Double-inlet centrifugal fans with 3-speed motors.

CBD/B: Double-inlet centrifugal fans with impulsion flange and without support feet.

CBD/B 3V: Double-inlet centrifugal fans with impulsion flange and without support feet, fitted with 3-speed motors.



CBD CBD 3V



CBD/B CBD/B 3V

Fan:

- Galvanised sheet steel casing.
- Forward-curved impeller made of galvanised sheet steel.
- CBD and CBD 3V: Supplied with PSB support feet.

Motor:

- High efficiency (HE) motors in compliance with ErP 2015.
- Closed motors with built-in thermal protector, class F, with ball bearings, IP54 protection.

- Single-phase 220-240 V-50 Hz, and three-phase 220-240 V/380-415 V-50 Hz.
- Maximum temperature of air to be carried: -20 °C + 60 °C.

Finish:

- Anti-corrosive finish on galvanised sheet steel.



High quality, extremely robust impeller, dynamically balanced in accordance with ISO 21940-11

Order code



CBD: Double-inlet centrifugal fans with direct-drive motors and forward-curved impeller

CBD 3V: Double-inlet centrifugal fans with 3-speed motors.

CBD/B: Double-inlet centrifugal fans with impulsion flange and without support feet.

CBD/B 3V: Double-inlet centrifugal fans with impulsion flange, without support feet and with 3-speed motors.

Impeller size mm	mm		inch	
	mm	inch	mm	inch
1919	77	77	77	77
2525	99	99	10/10	10/10
2828	12/12	12/12	12/12	12/12
3333	15/15	15/15	15/15	15/15
3939	15/15	15/15	15/15	15/15

Number of motor poles
4=1400 r/min 50 Hz
6=900 r/min 50 Hz

T=Three-phase
M=Single-phase

Motor power (HP)

With 3-speed motors

Technical characteristics

	Equivalence inches	Max. speed (rpm)	Max. admissible current (A)		Installed power (kW)	Maximum flow rate (m ³ /h)	Sound level (dBA)	Approx. weight (kg)	According to ErP
			230 V	400 V					
CBD-1919-4M 1/5/HE	7/7	1320	1.15		0.15	1500	59	7.0	2015
CBD-1919-6M 1/10/HE	7/7	820	0.85		0.08	1230	53	7.0	Excluded
CBD-2525-4M 1/2/HE	9/9	1320	2.30		0.37	2800	66	13.2	2015
CBD-2525-4M 3/4/HE	9/9	1310	3.65		0.55	3600	70	14.0	2015
CBD-2525-6M 1/6/HE	9/9	900	0.95		0.13	2200	60	11.9	2015
CBD-2525-6M 1/3/HE	9/9	940	1.60		0.25	2700	62	12.7	2015
CBD-2828-4M 1/2/HE	10/10	1320	2.30		0.37	2800	65	15.7	2015
CBD-2828-4M 3/4/HE	10/10	1310	3.65		0.55	3950	70	16.5	2015
CBD-2828-6M 1/3/HE	10/10	940	1.60		0.25	3200	62	15.2	2015
CBD-3333-6T 1 1/2/HE	12/12	850	6.60	3.80	1.10	7800	75	24.5	2015
CBD-3333-6M 3/4/HE	12/12	930	3.30		0.55	4750	64	23.0	2015
CBD-3333-6M 1/HE	12/12	850	5.37		0.75	6000	71	24.0	2015
CBD-3939-6T 3/HE	15/15	890	10.90	6.30	2.20	11400	75	39.0	2015



Technical characteristics

	Equivalence inches	Max. speed (rpm)	Max. admissible current (A) 230 V 400 V	Installed power (kW)	Maximum flow rate (m³/h)	Sound level (dBA)	Approx. weight (kg)	According to ErP
CBD-1919-4M 1/5 3V	7/7	1230	1.50	0.15	1520	59	7.0	*
CBD-2525-4M 3/4 3V	9/9	1310	3.60	0.55	3600	70	14.0	2015
CBD-2525-6M 1/3 3V	9/9	830	2.00	0.25	2700	62	12.7	*
CBD-2828-4M 3/4 3V	10/10	1310	3.60	0.55	3950	70	16.5	2015
CBD-2828-6M 1/3 3V	10/10	830	2.00	0.25	3200	62	15.2	2015
CBD-2828-6M 3/4 3V	10/10	840	4.10	0.55	3600	64	21.0	*
CBD-3333-6M 1 3V	12/12	850	5.70	0.75	6000	71	24.0	2015

* Equipment not covered by Directive 2009/125/EC



Erp. (Energy Related Products)

Information on Directive 2009/125/EC can be downloaded from the SODECA website or the QuickFan selector programme.

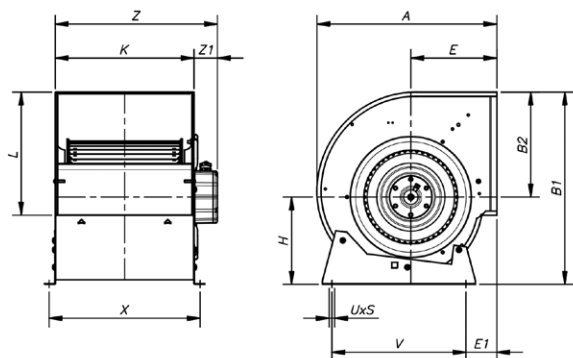
Acoustic characteristics

Noise power spectrum Lw(A) in dB(A) frequency band in [Hz]

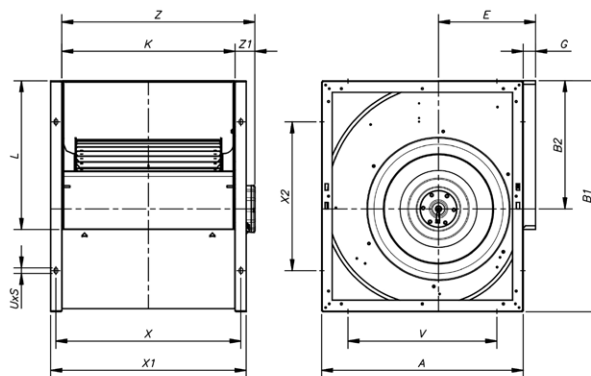
Model	63	125	250	500	1000	2000	4000	8000	Model	63	125	250	500	1000	2000	4000	8000
CBD-1919-4M 1/5 HE	29	44	55	63	65	64	63	55	CBD-1919-4M 1/5 3V	29	44	55	63	65	64	63	55
CBD-1919-6M 1/10 HE	23	38	49	57	59	58	57	49	CBD-2525-4M 3/4 3V	40	55	66	74	76	75	74	66
CBD-2525-4M 1/2 HE	36	51	62	70	72	71	70	62	CBD-2525-6M 1/3 3V	32	47	58	66	68	67	66	58
CBD-2525-4M 3/4 HE	40	55	66	74	76	75	74	66	CBD-2828-4M 3/4 3V	40	55	66	74	76	75	74	66
CBD-2525-6M 1/6 HE	30	45	56	64	66	65	64	56	CBD-2828-6M 1/3 3V	32	47	58	66	68	67	66	58
CBD-2525-6M 1/3 HE	32	47	58	66	68	67	66	58	CBD-2828-6M 3/4 3V	34	48	60	68	70	69	67	60
CBD-2828-4M 1/2 HE	35	50	61	69	71	70	69	61	CBD-3333-6M 1 3V	41	56	67	75	77	76	75	67
CBD-2828-4M 3/4 HE	40	55	66	74	76	75	74	66									
CBD-2828-6M 1/3 HE	32	47	58	66	68	67	66	58									
CBD-3333-6T 1 1/2 HE	45	60	71	79	81	80	79	71									
CBD-3333-6M 3/4 HE	34	49	60	68	70	69	68	60									
CBD-3333-6M 1 HE	41	56	67	75	77	76	75	67									
CBD-3939-6T 3 HE	48	62	74	81	84	83	81	73									

Dimensions mm

CBD- 1919...3333



CBD- 3939

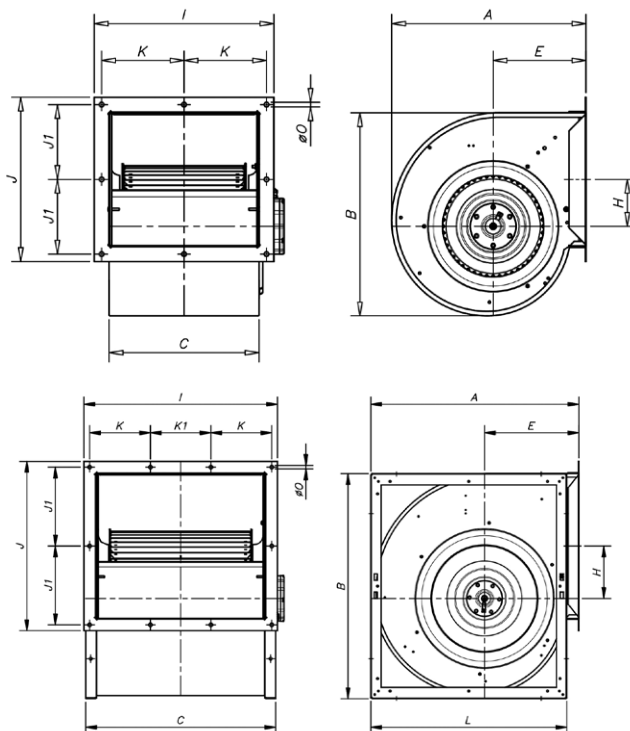


	Equiv. inch.	A	B1	B2	E	E1	G	H	K	L	UxS	V	X	x1	x2	Z1	Z
CBD-1919	7/7	315	333	189	152	64	-	144	230	208	9x13	225	258	-	-	70	300
CBD-2525	9/9	380	400	218	183	78	-	182	300	263	9x13	275	328	-	-	57	357
CBD-2828	10/10	422	450	246	202	73	-	204	326	292	9x13	315	352	-	-	45	371
CBD-3333	12/12	493	526	290	230	82	-	236	387	345	18x9	390	415	-	-	70	457
CBD-3939	15/15	553	632	352	265	-	30	-	473	408	18x9	406	505	533	406	60	533

CENTRIFUGAL FANS AND IN-LINE DUCT EXTRACTOR FANS

Dimensions mm

CBD/B



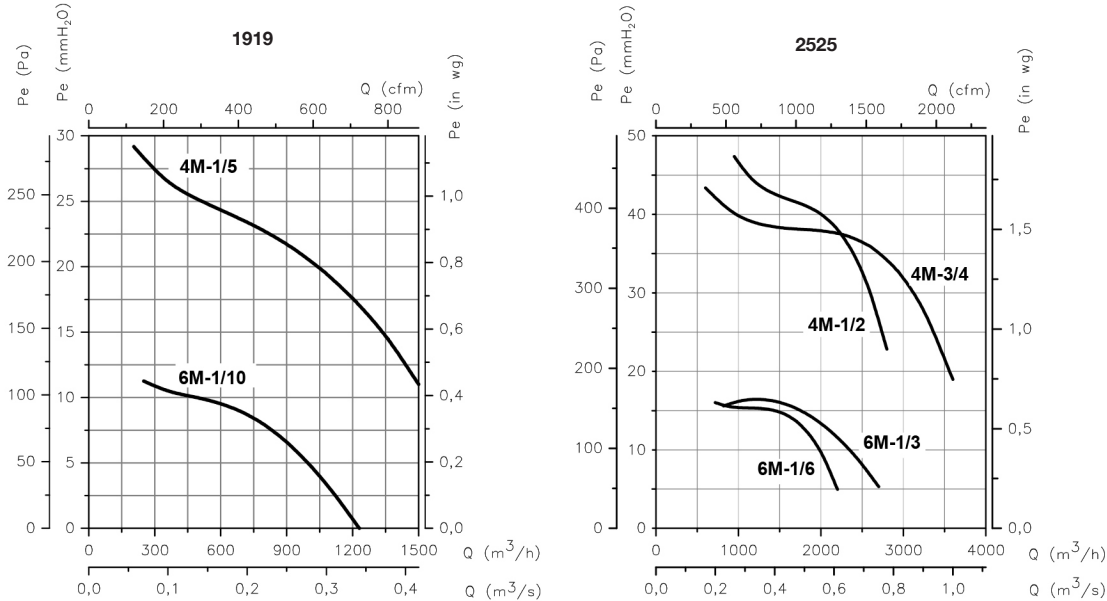
	Equiv. inch.	A	B	C	E	H	I	J	J1	K	K1	L	øO
CBD/B-1919	7/7	315	322	230	152	86.5	295	273	120.5	131.5	-	-	10
CBD/B-2525	9/9	380	393	300	183	89	365	328	148	166.5	-	-	10
CBD/B-2828	10/10	422	442	326	202	102	391	357	162.5	179.5	-	-	10
CBD/B-3333	12/12	493	527	387	230	121	452	410	189	210	-	-	10
CBD/B-3939	15/15	583	635	533	265	147	538	469	218.5	169	168	553	10

Characteristic curves

Q= Flow rate in m³/h, m³/s and cfm

Pe= Static pressure in mm H₂O, Pa and inwg

CBD



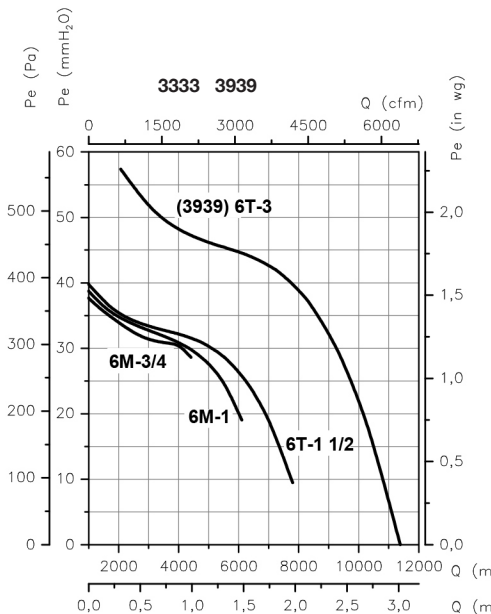
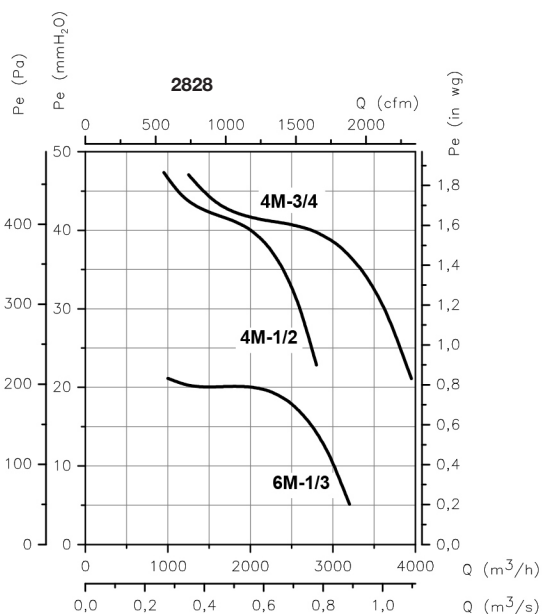


Characteristic curves

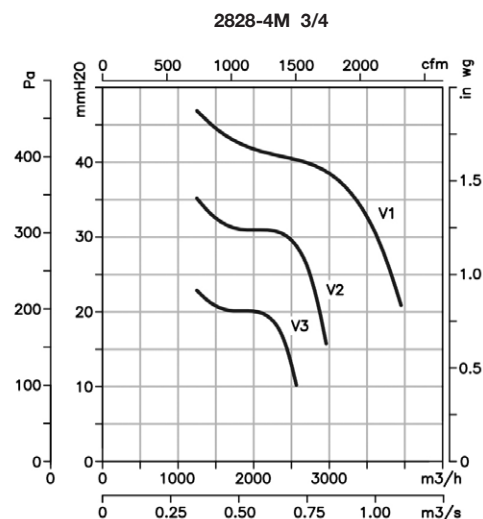
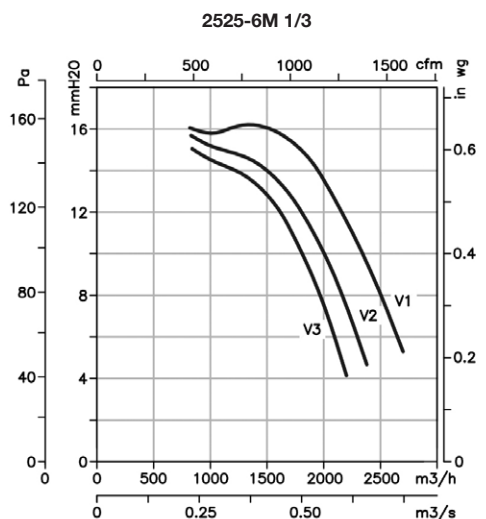
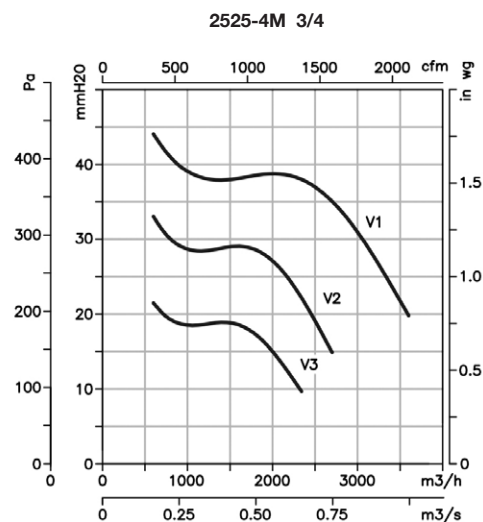
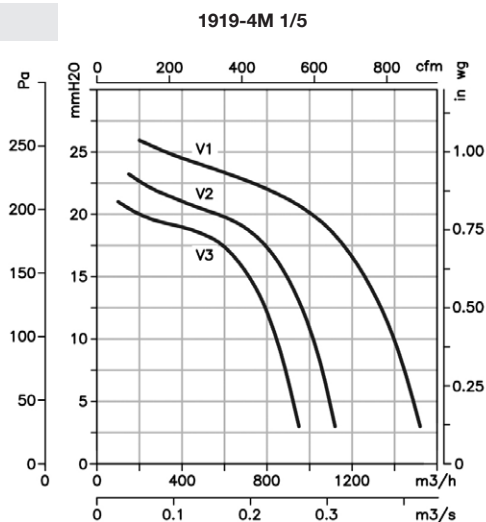
Q= Flow rate in m³/h, m³/s and cfm

Pe= Static pressure in mm H₂O, Pa and inwg

CBD



CBD 3V



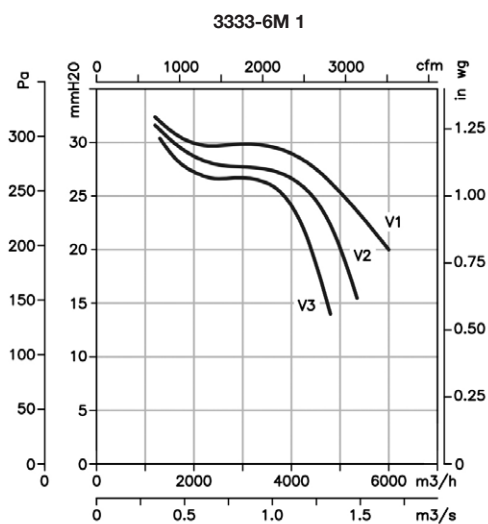
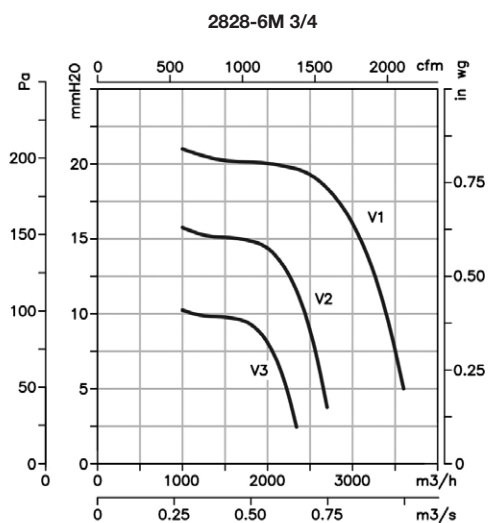
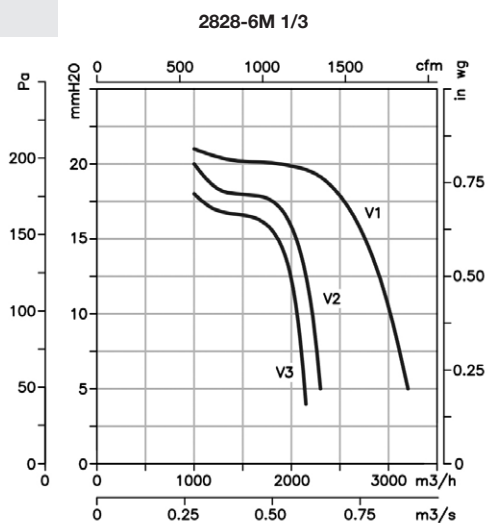
CENTRIFUGAL FANS AND IN-LINE DUCT EXTRACTOR FANS

Characteristic curves

Q= Flow rate in m³/h, m³/s and cfm

Pe= Static pressure in mm H₂O, Pa and inwg

CBD 3V



Accessories

See accessories section.



INT

C2V

RM

VSD3/A-RFT

AET

PSB