

CMSH



Medium pressure centrifugal fans with backward-curved impeller and a heat-resistant compartment with a mineral fibre coating.



Fan:

- Sheet steel structure.
- Impeller with reaction blades made of sheet steel.
- Heat-resistant compartment with high-density mineral fibre and high thermal and acoustic insulation power.
- With 30 mm thick mineral fibre.

Motor:

- IE3 efficiency motors for powers equal to or greater than 0.75 kW except single-phase, 2-speed and 8-pole.
- Class F motors with ball bearings and IP55 protection.
- Three-phase 230/400 V - 50 Hz (up to 4 kW) and 400/690 V - 50 Hz (powers higher than 4 kW).

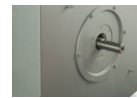
- Maximum temperature of air to be carried: -20 °C +250 °C.

Finish:

- Treated with heat-resistant paint.

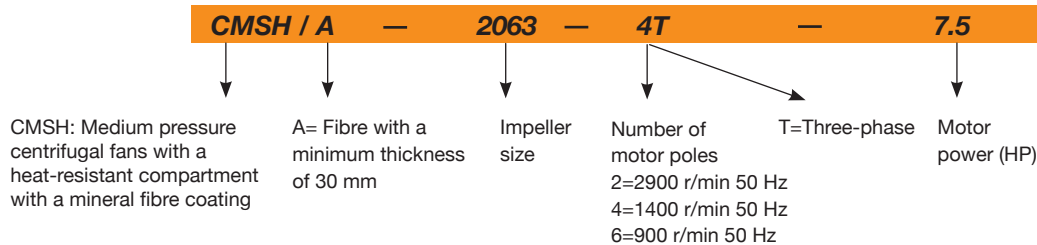
On request:

- Special windings for different voltages.
- Construction entirely of stainless steel.



Compartment insulated with high thermal insulation mineral fibre.

Order code



Technical characteristics

Model	Speed (r/min)	Maximum admissible current (A)			Installed power (kW)	Maximum flow rate (m ³ /h)	Sound pressure level dB(A)	Approx. weight (kg)
		230 V	400 V	690 V				
CMSH-831-2T-2 IE3	2875	5.34	3.07		1.50	2650	65	31
CMSH-935-2T-2 IE3	2875	5.34	3.07		1.50	3660	70	39
CMSH-1040-4T-1.5 IE3	1455	4.07	2.34		1.10	2660	57	36
CMSH-1145-4T-1.5 IE3	1455	4.07	2.34		1.10	3940	61	58
CMSH-1240-4T-1.5 IE3	1455	4.07	2.34		1.10	5300	62	57
CMSH-1445-4T-2 IE3	1440	5.41	3.11		1.50	8450	70	69
CMSH-1650-4T-3 IE3	1435	7.93	4.56		2.20	10900	71	80
CMSH-1856-4T-5.5 IE3	1450	13.90	8.00		4.00	17100	77	93
CMSH-2063-4T-7.5 IE3	1465		10.30	5.97	5.50	19200	77	150
CMSH-2063-6T-3 IE3	950	9.08	5.22		2.20	13600	66	125
CMSH-2271-4T-15 IE3	1470		20.90	12.10	11.00	31000	83	196
CMSH-2271-4T-20 IE3	1465		27.90	16.20	15.00	34600	85	205
CMSH-2271-6T-5.5 IE3	960	15.60	8.99		4.00	21900	75	150
CMSH-2380-4T-30 IE3	1470		41.00	23.80	22.00	47600	86	266
CMSH-2380-6T-15 IE3	975		21.90	12.70	11.00	30900	78	279

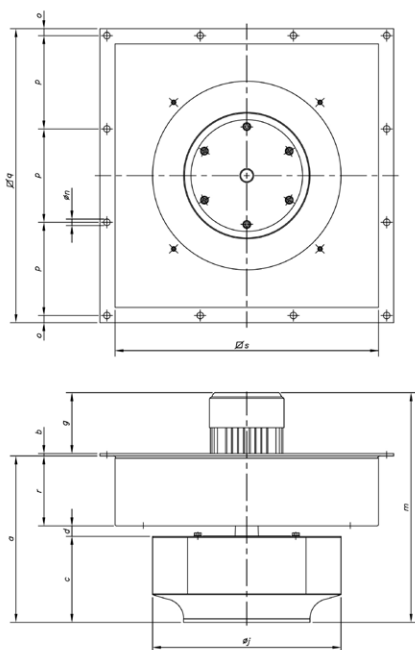
CENTRIFUGAL FANS AND IN-LINE DUCT EXTRACTOR FANS

Acoustic characteristics

Sound power spectrum Lw(A) in dB(A) per Hz frequency band

	63	125	250	500	1000	2000	4000	8000		63	125	250	500	1000	2000	4000	8000
CMSH-831-2T-2	54	63	68	68	72	71	64	58	CMSH-2063-4T-7.5	66	72	91	86	86	86	83	74
CMSH-935-2T-2	59	68	73	73	77	76	69	63	CMSH-2063-6T-3	58	69	76	77	78	77	71	61
CMSH-1040-4T-1.5	50	56	61	62	65	67	59	53	CMSH-2271-4T-15	73	79	97	96	94	94	91	83
CMSH-1145-4T-1.5	56	62	67	68	71	73	65	59	CMSH-2271-4T-20	75	81	99	98	96	96	93	85
CMSH-1240-4T-1.5	46	59	61	73	69	67	64	56	CMSH-2271-6T-5.5	65	78	79	83	92	86	82	71
CMSH-1445-4T-2	55	65	78	81	79	79	75	65	CMSH-2380-4T-30	76	82	100	99	97	97	94	86
CMSH-1650-4T-3	52	65	79	79	82	80	77	67	CMSH-2380-6T-15	68	81	82	86	95	89	85	74
CMSH-1856-4T-5.5	64	71	88	88	87	87	86	83									

Dimensions mm



	a	b	c	d	g	øj	m	øñ	o	p	□q	r	□s
CMSH-831-2T-2	253.5	3	83	20.5	174	315	432	9	15	150	480	150	400
CMSH-935-2T-2	265.5	3	93.5	22	186	350	454.5	14	20	188	604	150	495
CMSH-1040-4T-1.5	273.5	3	103.5	22	186	400	464	14	15	188	604	150	495
CMSH-1145-4T-1.5	283.5	5	114	19.5	186.5	450	475	14	15	200	630	150	565
CMSH-1240-4T-1.5	356.5	5	184	22.5	130.5	404	492	14	15	200	630	150	565
CMSH-1445-4T-2	397.5	5	220	27.5	186.6	458	589	14	15	200	630	150	565
CMSH-1650-4T-3	428	5	248	27.5	216	508	649	14	16	236	740	150	673
CMSH-1856-4T-5.5	449.5	5	277.5	22	216	577	671	14	16	236	740	150	673
CMSH-2063-4T-7.5	470	5	299	21	277.5	644	752.5	14	19	284	890	150	813
CMSH-2063-6T-3	470	5	299	21	239.5	644	714.5	14	19	284	890	150	813
CMSH-2271-4T-15	500	5	330	20	395.5	719	900.5	14	19	284	890	150	813
CMSH-2271-4T-20	500	5	330	20	395.5	719	900.5	14	19	284	890	150	813
CMSH-2271-6T-5.5	466	5	295	21	277.5	719	748.5	14	19	284	890	150	813
CMSH-2380-4T-30	538.5	5	366	22.5	538.5	808	1056	14	19	248	1030	150	953
CMSH-2380-6T-15	538.5	5	366	22.5	395.5	808	939	14	19	248	1030	150	953

Accessories

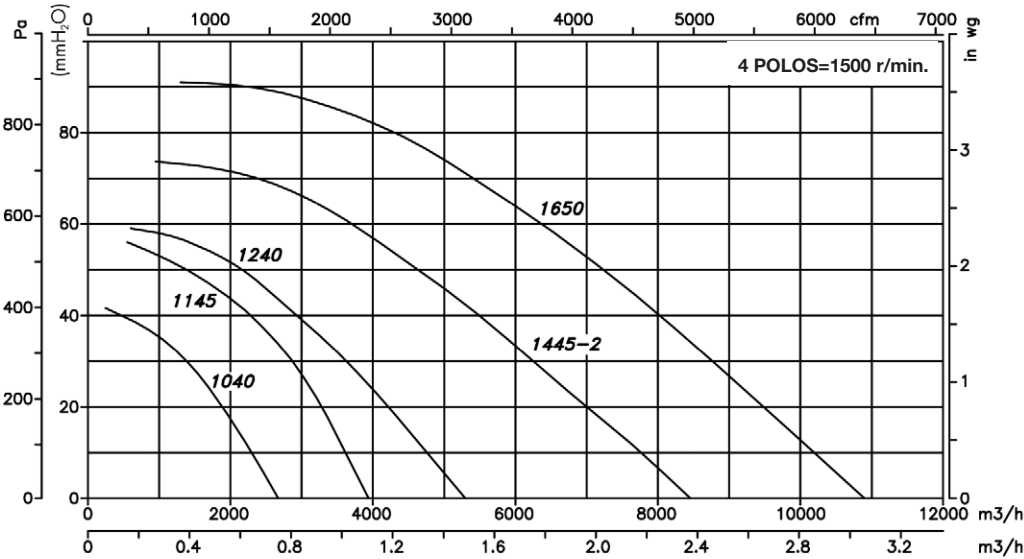
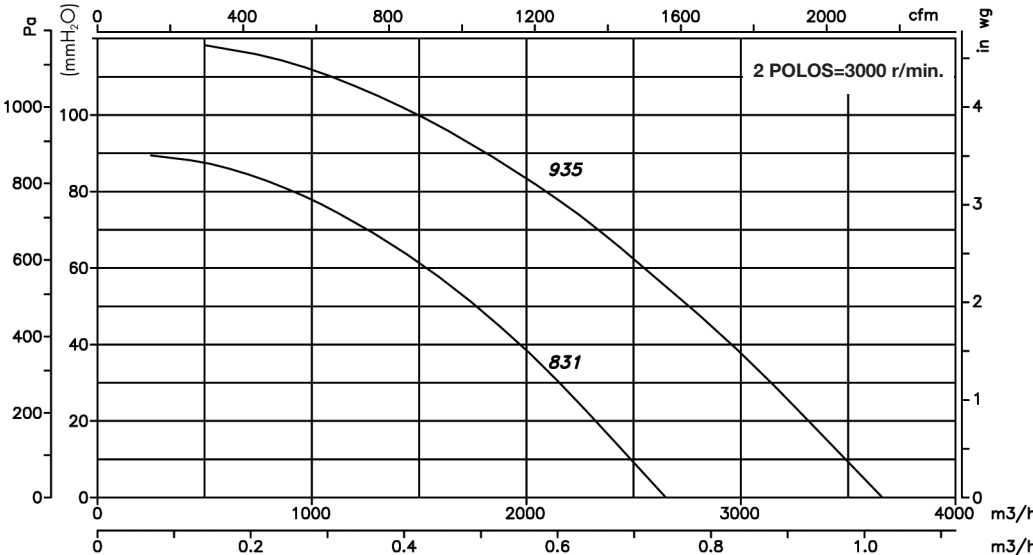
See accessories section.



Characteristic curves

Q= Flow rate in m³/h, m³/s and cfm

Pe= Static pressure in mm H₂O, Pa and inwg



CENTRIFUGAL FANS AND IN-LINE DUCT EXTRACTOR FANS

Characteristic curves

Q= Flow rate in m³/h, m³/s and cfm

Pe= Static pressure in mm H₂O, Pa and inwg

