



CAST



High pressure, single inlet centrifugal fans with sheet steel casing and straight blade impeller, for carrying dust and solids.



Fan:

- Sheet steel casing.
- Straight blade impeller in sheet steel.

Motor:

- IE3 efficiency motors for powers equal to or greater than 0.75 kW except single-phase, 2-speed and 8-pole.
- Class F motors with ball bearings and IP55 protection.
- Three-phase 230/400 V - 50 Hz (up to 4 kW) and 400/690 V - 50 Hz (powers higher than 4 kW).
- Maximum temperature of air to be carried: -25 °C +120 °C.

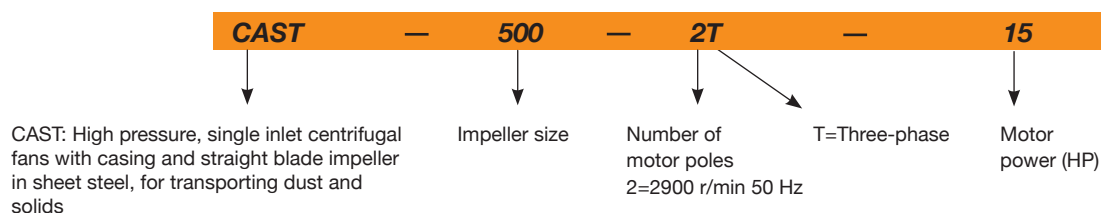
Finish:

- Anti-corrosive finish of polyester resin polymerised at 190 °C, previously degreased with phosphate-free nanotechnological treatment.

On request:

- Special windings for different voltages.
- Fan prepared for air transmission of up to 250 °C.
- ATEX-certified Category 2.
- System 8 elastic coupling.

Order code



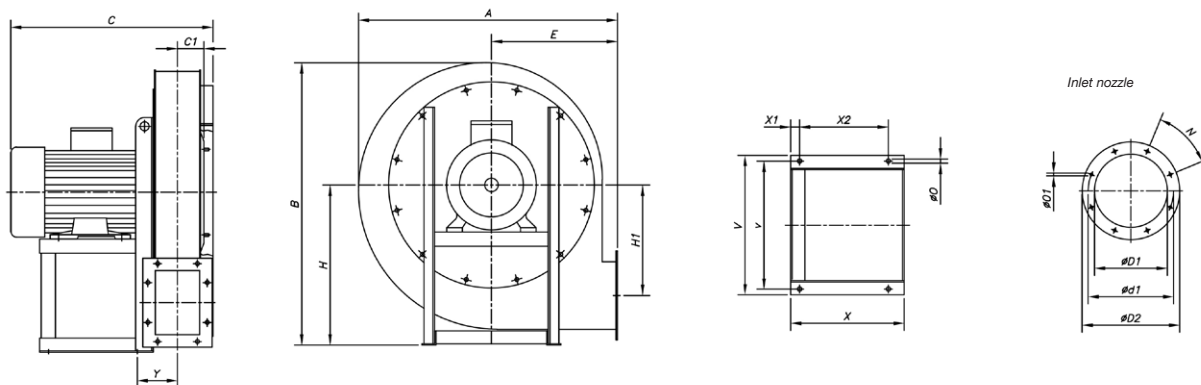
Technical characteristics

Model	Speed (r/min)	Maximum admissible current (A)			Installed power (kW)	Maximum flow rate (m ³ /h)	Sound pressure level dB(A)	Approx. weight (kg)
		230 V	400 V	690 V				
CAST-400-2T-3 IE3	2870	7.70	4.43		2.20	1330	80	45
CAST-450-2T-4 IE3	2910	10.00	5.77		3.00	1330	82	60
CAST-450-2T-5.5 IE3	2900	13.00	7.50		4.00	1910	83	65
CAST-500-2T-7.5 IE3	2930		10.10	5.86	5.50	2440	85	97
CAST-500-2T-10 IE3	2935		13.90	8.06	7.50	3470	85	103
CAST-560-2T-10 IE3	2935		13.90	8.06	7.50	2690	89	135
CAST-560-2T-15 IE3	2945		20.00	11.60	11.00	4360	90	158
CAST-630-2T-20 IE3	2945		27.70	16.10	15.00	3830	93	193
CAST-630-2T-25 IE3	2945		33.90	19.70	18.50	5510	93	203
CAST-710-2T-30 IE3	2950		39.70	23.00	22.00	4790	96	253
CAST-710-2T-40 IE3	2960		54.50	31.60	30.00	6970	96	365
CAST-710-2T-50 IE3	2960		67.80	39.30	37.00	8640	96	373
CAST-800-2T-50 IE3	2960		67.80	39.30	37.00	7790	101	415
CAST-800-2T-60 IE3	2960		77.50	44.90	45.00	7770	101	472
CAST-800-2T-75 IE3	2960		95.60	55.40	55.00	11000	101	554
CAST-800-4T-10 IE3	1465		13.90	8.06	7.50	6970	81	250
CAST-900-4T-15 IE3	1470		20.90	12.10	11.00	7790	85	440
CAST-900-4T-20 IE3	1465		27.90	16.20	15.00	8610	86	478
CAST-1000-4T-25 IE3	1470		35.10	20.30	18.50	10970	88	586
CAST-1000-4T-30 IE3	1470		41.00	23.80	22.00	12300	89	646

CENTRIFUGAL FANS AND IN-LINE DUCT EXTRACTOR FANS

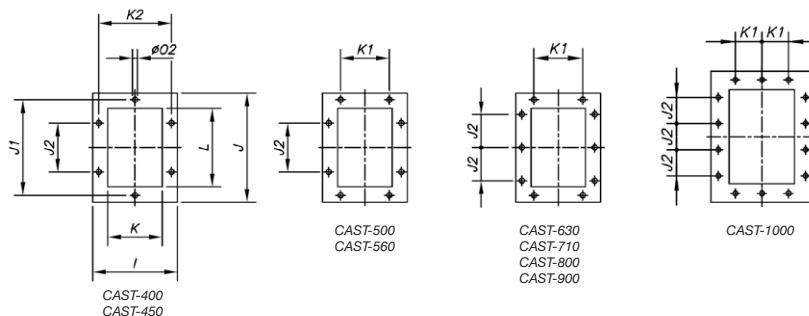
Dimensions mm

CAST-400...1000



	A	B	C	C1	E	H	H1	ØO	V	v	X	x1	x2	Y	ØD1	ØD2	Ød1	ØO1	N
CAST-400-2T-3	590	658	425	71	280	375	238	12	276	234	205	30	140	93	185	250	219	8	8x45°
CAST-450-2T-4	645	715	505	78	300	400	265	12	324	289	250	30	190	100	205	275	241	8	8x45°
CAST-450-2T-5.5	645	715	505	78	300	400	265	12	324	289	250	30	190	100	205	275	241	8	8x45°
CAST-500-2T-7.5	715	795	585	86	335	450	298	12	374	337	300	30	240	108	228	298	265	8	8x45°
CAST-500-2T-10	715	795	585	86	335	450	298	12	374	337	300	30	240	108	228	298	265	8	8x45°
CAST-560-2T-10	805	890	605	95	375	500	338	12	374	337	300	30	240	119	255	325	292	10	8x45°
CAST-560-2T-15	805	890	740	95	375	500	338	12	444	395	415	30	355	119	255	325	292	10	8x45°
CAST-630-2T-20	910	1000	760	105	425	560	381	12	444	395	415	30	355	129	285	365	332	10	8x45°
CAST-630-2T-25	910	1000	760	105	425	560	381	12	444	395	415	30	355	129	285	365	332	10	8x45°
CAST-710-2T-30	1015	1122	785	115	475	630	426	12	490	434	460	30	400	138	320	400	366	10	8x45°
CAST-710-2T-40	1015	1122	860	115	475	630	426	12	568	506	500	30	440	138	320	400	366	10	8x45°
CAST-710-2T-50	1015	1122	860	115	475	630	426	12	568	506	500	30	440	138	320	400	366	10	8x45°
CAST-800-2T-50	1140	1265	885	127	530	710	481	20	568	506	500	30	440	151	360	440	405	10	8x45°
CAST-800-2T-60	1140	1265	960	127	530	710	481	20	616	556	540	30	440	151	360	440	405	10	8x45°
CAST-800-2T-75	1140	1265	960	127	530	710	481	20	690	604	600	30	540	151	360	440	405	10	8x45°
CAST-800-4T-10	1140	1265	670	127	530	710	481	20	374	337	300	30	240	151	360	440	405	10	8x45°
CAST-900-4T-15	1285	1428	835	141	600	800	542	20	444	395	415	30	355	166	405	485	448	10	12x30°
CAST-900-4T-20	1285	1428	835	141	600	800	542	20	444	395	415	30	355	166	405	485	448	10	12x30°
CAST-1000-4T-25	1430	1590	870	163	670	900	607	20	490	434	460	30	400	182	455	535	497	10	12x30°
CAST-1000-4T-30	1430	1590	945	163	670	900	607	20	490	434	460	30	400	182	455	535	497	10	12x30°

Outlet nozzle



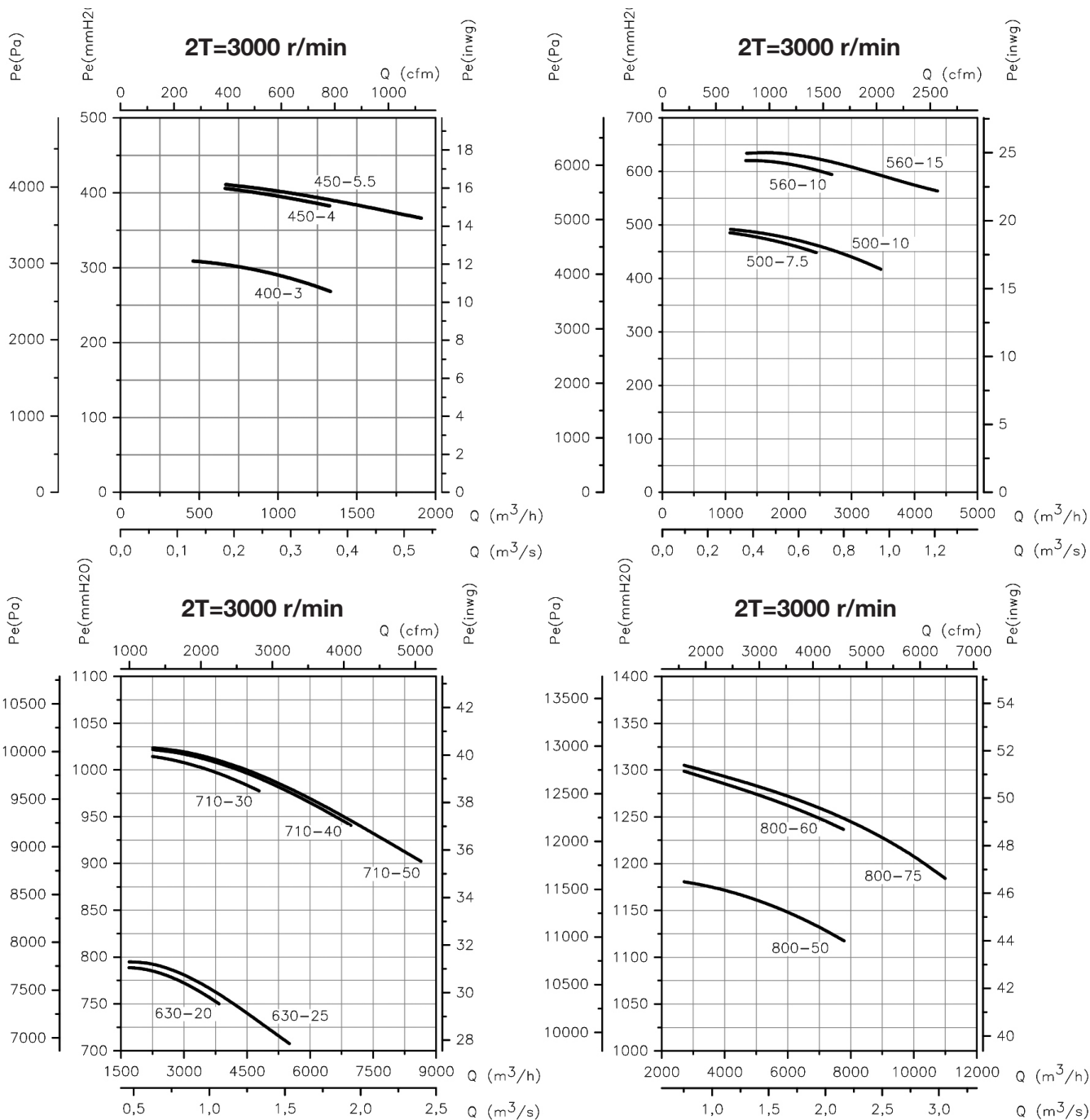
	I	J	J1	J2	K	K1	K2	L	ØO2
CAST-400	187	236	200	112	117	-	151	166	12
CAST-450	201	255	219	112	131	-	165	185	12
CAST-500	218	277	241	112	148	112	182	207	12
CAST-560	236	301	265	112	166	112	200	231	12
CAST-630	255	328	292	112	185	112	219	258	12
CAST-710	285	368	332	125	205	125	249	288	12
CAST-800	309	402	366	125	229	125	273	322	12
CAST-900	336	441	405	125	256	125	300	361	12
CAST-1000	368	484	448	125	288	125	332	404	12



Characteristic curves

Q= Flow rate in m³/h, m³/s and cfm

Pe= Static pressure in mm H₂O, Pa and inwg



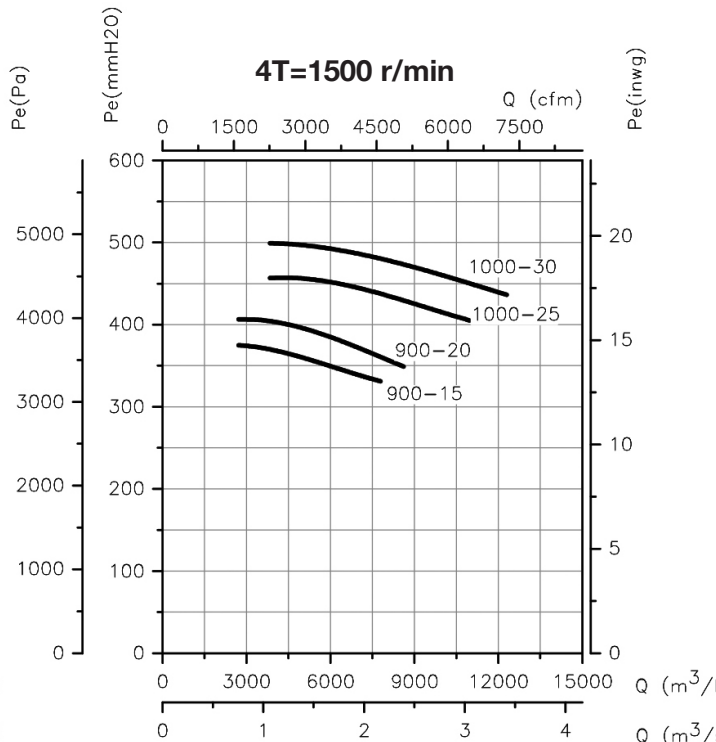
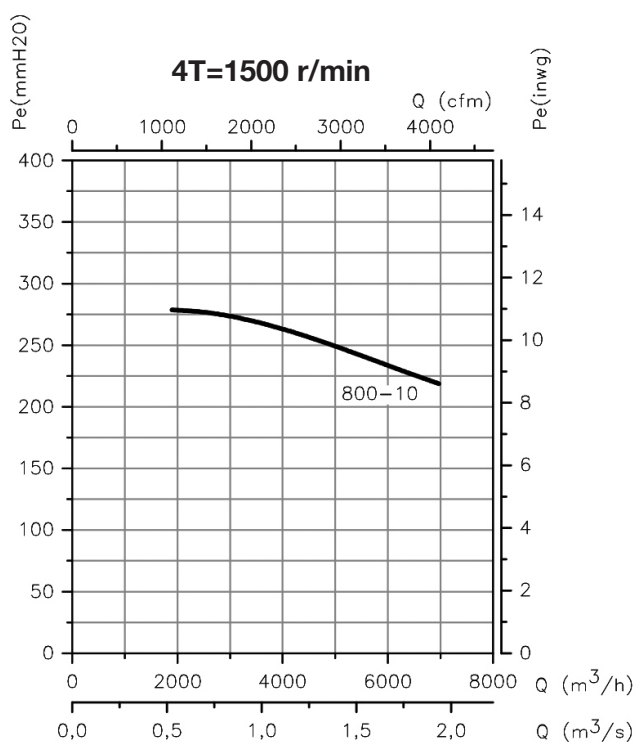
EKB..Fläktar för Industri & Ventilation

CENTRIFUGAL FANS AND IN-LINE DUCT EXTRACTOR FANS

Characteristic curves

Q= Flow rate in m³/h, m³/s and cfm

Pe= Static pressure in mm H₂O, Pa and inwg



Orientation

LG270 standard supply, other positions on request.
All models are adjustable. Special sizes in positions 180 and 225.



Accessories

See accessories section.

