

## INSTALLATIONSEXEMPEL TAKFLÄKT

### DZD Ex e

#### Roof fans for areas subject to explosion hazards

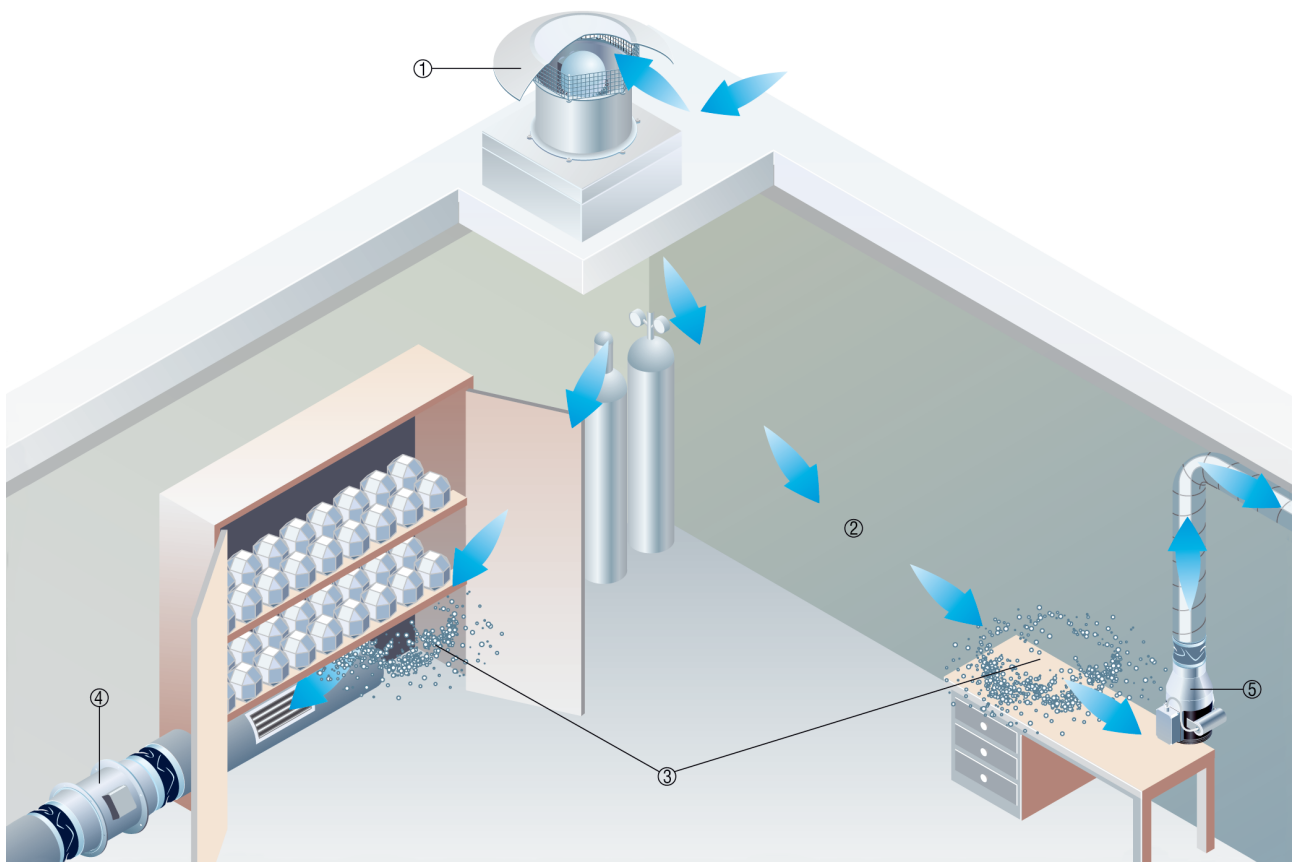
With cross-ventilation, the supply air flows through the whole room before being extracted again.

Blow the supply air in close to the ceiling in parallel to the ceiling. The supply air spreads throughout the room thanks to the induction effect.

Extract exhaust air close to the ground because most flammable gases and vapours are heavier than air. - The one exception is hydrogen which collects below the ceiling.

In the application shown, the supply air is blown into the room in parallel to the ceiling. As the supply air crosses the room, it is thoroughly mixed with the air already in the room.

Air extraction is then done direct at the workplace, in a dangerous material cabinet with a fan connected directly to it or generally through extractor fans at floor level.



- ① Roof fan DZD ... Ex e
- ② Air flow with cross-ventilation
- ③ Potentially explosive atmosphere
- ④ DZR ...E Ex e duct fan
- ⑤ Duct fan ERM ... Ex e

#### 10 Reverseringsdrift

Standardutföranden kan kopplas om mellan ventilation och avluftning. I reverseringsdrift (motsatt matningsriktning) sänks volymflödet med ca 35 %.

#### WARNING

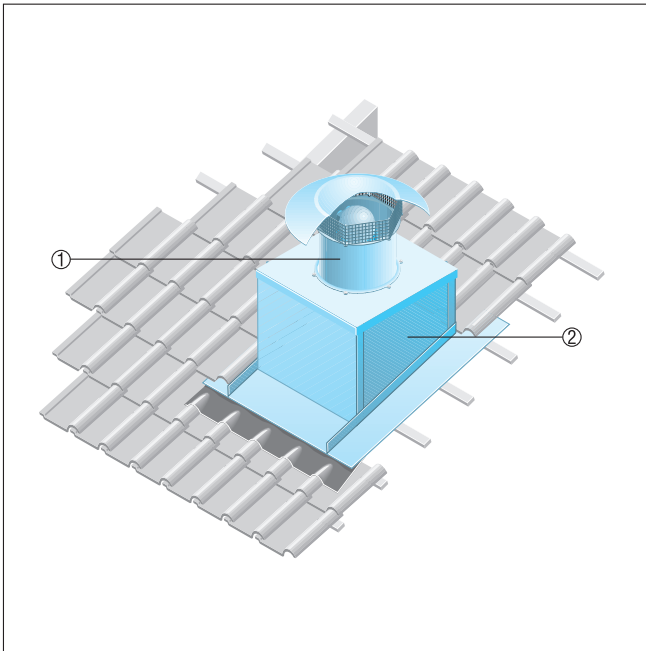
Fläkten är termiskt dimensionerad för kontinuerlig drift. Om rotationsriktningen ofta ändras eller om utrustningen ofta kopplas in och ifrån finns det risk för att motorn värms upp till otillåtet höga temperaturer.

#### Tile roofs

- The SDS pitched roof socket is specially manufactured for mounting on tiled roofs.
- The type of roof tiles and roof pitch must be given at the time of ordering.

## INSTALLATION INSTRUCTIONS

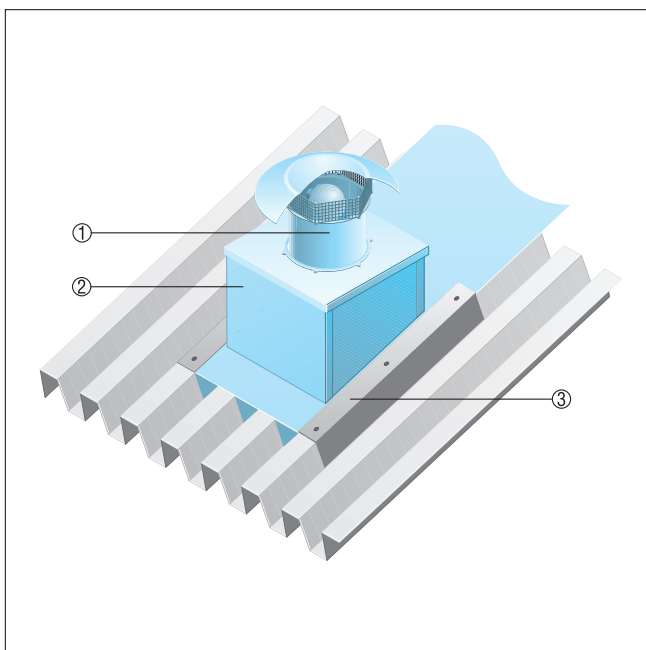
### DZD Ex e



- ① DZD-Ex axial roof fan
- ② SDS pitched roof socket

### Trapezoidal roof mounting

- The SOWT corrugated and trapezoidal roof socket is suitable for all types of trapezoidal and corrugated roofs.
- The corresponding roof profile form is to be prepared on site.



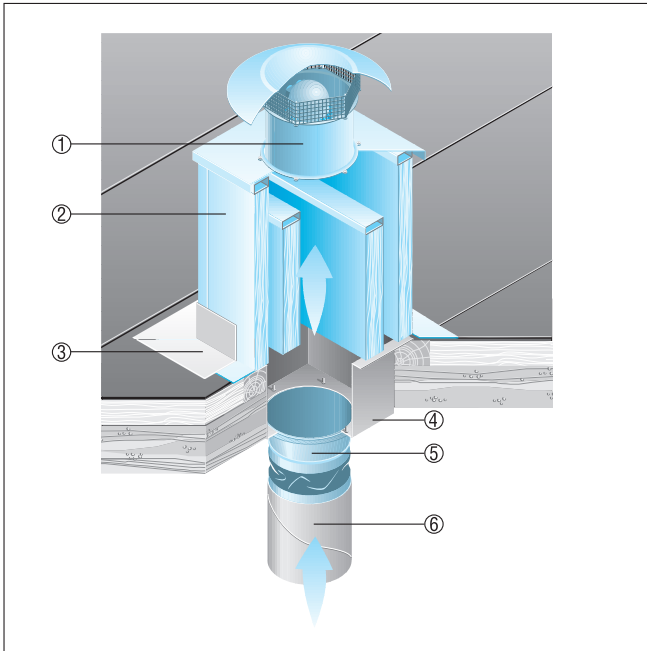
- ① DZD-Ex axial roof fan
- ② SOWT corrugated and trapezoidal roof socket
- ③ Roof-mounted connector, to be supplied by the customer

### Flat roof mounting

- We recommend using an SD socket sound absorber for DZD-Ex fans
- The SD socket sound absorber dampens the noise on the suction side.

# INSTALLATION INSTRUCTIONS

## DZD Ex e



- ① DZD-Ex axial roof fan
- ② SD socket sound absorber
- ③ Roof-mounted connector, to be supplied by the customer
- ④ Connection socket, to be supplied by the customer
- ⑤ ELA-Ex flexible coupling
- ⑥ Ventilation duct, to be supplied by the customer