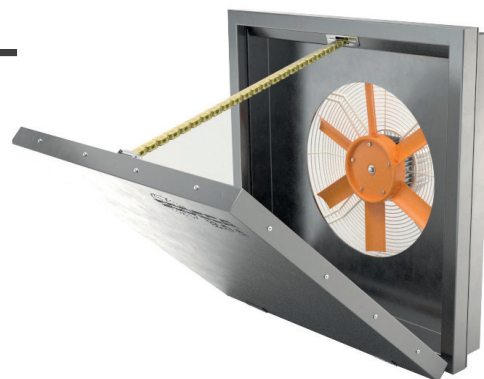


WALL/AXIAL



Dynamic wall-mount axial extract fans fitted with motorised hatch.

Wall-mounted axial fans with an impeller made of fibreglass-reinforced plastic and a motorised opening function. Suitable for installation in industrial or commercial buildings. Can be used for ambient ventilation.

Fan:

- An extremely robust structure that is able to withstand severe weather changes.
- Equipment structure made of anti-corrosive galvanised sheet steel.
- Water-tight design to prevent water entry.
- Heat insulation of 60 mm to prevent hot air loss in the winter.
- The wall mount bracket and helical ring support stand permit allow for correct, easy installation.
- Limit switch.
- Sheet steel support base.
- Fibreglass-reinforced polyamide-6 impeller.
- Anti-contact protective grille pursuant to standard UNE-EN ISO 12499.
- In the 71 models, the protective grille is supplied as an accessory.
- Airflow direction from motor to impeller.

Motor:

- IE3 efficiency motors for powers equal to or greater than 0.75kW except single-phase, 2-speed and 8-pole.
- Class F motors with ball bearings and IP55 protection.

- Single-phase 230V-50Hz and three-phase 230/400V-50Hz (up to 4kW) and 400/690V 50Hz (powers greater than 4kW).
- Operating temperature: -25°C +60°C.

Finish:

- Anti-corrosive finish on galvanised sheet steel.

Available versions:

- AI: Hatch attached at the top part, motor-impeller air direction for air extract from premises.
- AA: Hatch attached at the top part, impeller-motor air direction for air entry to premises.

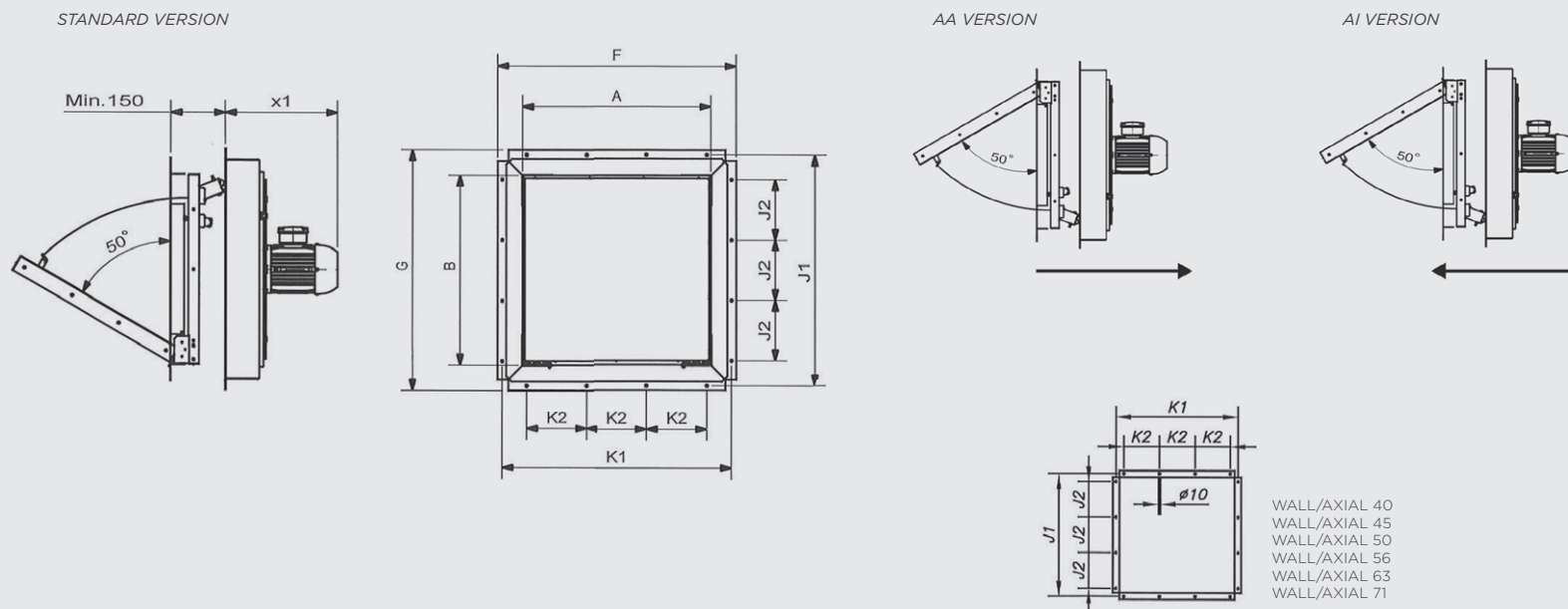
On request:

- Anti-corrosive paint finish, in the colour requested by the client.
- Motorised opening arms with supply voltage of 24V. DC



Model	Speed (r/min)	Max. admissible current (A)		Installed power (kW)	Max. airflow (m ³ /h)	Sound pressure level dB(A)	Approx. weight (kg)	According to ErP
		230 V	400 V					
WALL/AXIAL-40-4T	1350	1.66	0.96	0.25	5200	63	43	2015
WALL/AXIAL-45-4T	1370	2.02	1.17	0.37	7300	66	47	2015
WALL/AXIAL-50-4T	1380	2.92	1.69	0.55	10200	69	58	2015
WALL/AXIAL-50-6T	900	2.24	1.30	0.37	6300	59	58	2015
WALL/AXIAL-56-4T IE3	1455	4.07	2.34	1.10	13000	72	69	2015
WALL/AXIAL-56-6T	900	2.24	1.30	0.37	8300	61	60	2015
WALL/AXIAL-63-4T IE3	1455	4.07	2.34	1.10	16450	74	100	2015
WALL/AXIAL-63-6T	900	2.24	1.30	0.37	12350	64	91	2015
WALL/AXIAL-71-4T IE3	1440	5.41	3.11	1.50	22150	78	116	2015
WALL/AXIAL-71-6T IE3	940	3.36	1.93	0.75	17300	66	112	2015

WALL/AXIAL



Model	A	B	F	G	x1	J1	J2	K1	K2
WALL/AXIAL-40	645	595	730	730	400	700	200	700	200
WALL/AXIAL-45	645	645	730	730	405	700	200	700	200
WALL/AXIAL-50	695	695	825	825	455	790	220	790	220
WALL/AXIAL-56	695	695	825	875	485	840	220	790	220
WALL/AXIAL-63	995	995	1085	1085	480	1050	300	1050	300
WALL/AXIAL-71	995	995	1085	1085	480	1050	300	1050	300